

# MoviSight

## MS-72552CT-F

### Bi-spectrum Network Eyeball Camera



#### Key Features

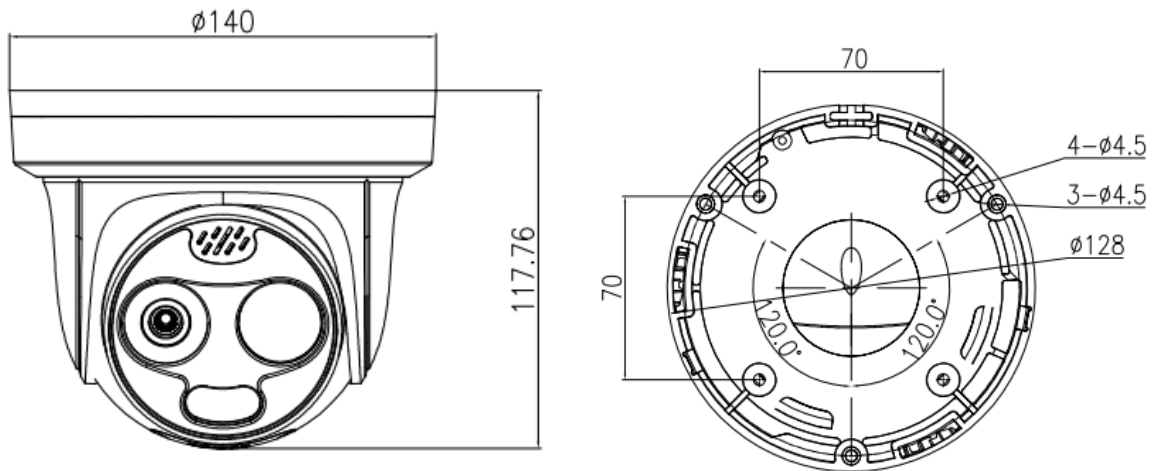
- Uncooled VOx Micro bolometer with 256×192 resolution
- Thermal: 3.5 mm fixed lens, Visible: 4 mm fixed lens
- Support Human, Vehicle, Fire point and Smoker detection
- Intelligent analysis: Perimeter, Single virtual fence, Double virtual fence, Multi loiter, Converse, Personnel count, Enter area, Leave area, PPE
- Support 3 temperature measurement rule types (Spot, Line, Area)
- Image processing technology: DVE, 3D DNR, Defog, WDR
- Built-in microphone and speaker, support sound-light alarm
- Smart IR distance up to 35m
- Support I/O alarm, RS485, built-in SD card slot
- DC12V/DC24V, PoE power supply

# Specification

Thermal Camera	
Image Sensor	Vanadium Oxide Uncooled Focal Plane Arrays
Resolution	256×192, Image can be scaled up to 704×576
Pixel Size	12um
Spectral Range	8~14um
Thermal Sensitivity (NETD)	≤ 60mK
Image Setting	Brightness/Sharpness/Contrast/Mirror/FFC/3D DNR
Color Palettes	17 (White-hot/Black-hot/Rainbow/Ironbow etc.)
Lens Type	Fixed, F1.0
Focus Control	Free focus
Focal Length	3.5 mm
Angle of View	H: 48°, V: 36°
Detection Distance for Humans (1.8×0.5m)	146m
Detection Distance for Vehicles (4×1.5m)	447m
Recognition Distance for Human (1.8×0.5m)	36m
Recognition Distance for Vehicle (4×1.5m)	112m
Fire Detection Distance for Object (0.1×0.1m)	14m
Fire Detection Distance for Object (1×1m)	146m
Visible Camera	
Image Sensor	1/2.7" CMOS
Effective Resolution	2880(H)×1620(V)
Shutter Speed	1/5 ~ 1/20,000s
Wide Dynamic Range	True WDR 120dB
Min. Illumination	Color: 0.001Lux @(F1.2, AGC ON) B/W: 0.0003Lux @(F1.2, AGC ON)
S/N Ratio	More than 55dB
Focal Length	4mm
Angle of View	H: 92°, V: 46°
Illuminator	
IR Distance	Up to 35m
White Light	Strobe light
Video and Audio	
Frame Rate	Main Stream: Visible: 2880×1620, 2560×1440, 2304×1296, 1920×1080, 1280×720 @25/30fps Thermal: 704×576 @25/30fps Sub Stream: Visible: D1/VGA/640×360/CIF/QVGA @25/30fps Thermal: CIF @25/30fps
Bit Rate Control	CBR/VBR
Bit Rate	Main Stream: Visible: 100Kbps~16Mbps Thermal: 100Kbps~6Mbps Sub Stream: Visible: 100Kbps~6Mbps Thermal: 10Kbps~6Mbps
Region of Interest	Off / On (8 Zone, Rectangle)
Mirror	Support

Defog	Support
Motion Detection	Support
Privacy Masking	Off / On (5 Area, Rectangle)
DVE Image Enhance	Support
Audio Compression	G.711: 8kbps, RAW_PCM: 16kbps
Smart Function	
Smart Function	Temperature measurement, human detection and vehicle detection
Advanced Intelligence Analysis	Smoker detection, Smoke and Flame detection, fire point detection
Intelligent Analysis	Perimeter, Single virtual fence, Double virtual fence, Multi loiter, Converse, Enter area, Leave area (these 7 function support accurate detection of people/vehicles), Personnel count, PPE
Sound-light Alarm	Support white light flashing and horn warning
Temperature Measurement	3 temperature measurement rule types, 20 rules in total, 1 full screen, 19 others (points, areas, line).
Temperature Alarm	Over temperature alarm, Temperature difference alarm
Accuracy	±2°C / ±2%
Response Time	≤ 30ms
Temperature Measurement Range	-20°C ~ 150°C (-4°F ~ 302°F)
Network	
Protocols	IPv4/IPv6, HTTP, RTSP/RTP/RTCP, TCP/UDP, DHCP, DNS, PPPOE, SMTP, 802.1x
Interoperability	ONVIF
Max. User Access	10 Users
Web Viewer	<IE11, Chrome, Firefox, Microsoft Edge
Web Language	English, Chinese, Polish, Italian, Portuguese, Spanish, Russian, French, Czech, Hungarian
Interface	
Network Interface	1 Ethernet (10/100 Base-T) RJ-45 Connector
Audio Interface	1ch input, 1ch output
Built-in Microphone	Support
Built-in Speaker	Support
Alarm Interface	1ch input, 1ch output
RS485	Support
HDMI Interface	Support
Reset Button	Support
SD Card Slot	Support, up to 256GB
General	
Power Supply	DC12V/DC24V/POE (IEEE 802.3af)
Power Consumption	Max 10W
Working Temperature	-40°C ~ 60°C (-40°F ~ 140°F)
Storage Conditions	0 ~ 90% RH
Certifications	CE / FCC
Ingress Protection	IP66
Casing	Metal
Dimensions	φ 140 mm × 117.8 mm (5.51 "×4.64 ")
Net Weight	1.03 Kg (2.27 lb)

## Dimensions (mm)



## Accessories

Optional:



MS-7CBK645D  
Junction Box



MS-7CBK206  
Pendant Cap



MS-7CBK402  
Pendant Mount



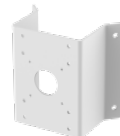
MS-7CBK501  
Wall Mount



MS-7CBK502  
Wall Mount



MS-7CBK101  
Pole Mount



MS-7CBK102  
Corner Mount