

CS5035-IPMPX-PTZ-IR

MoviSight®

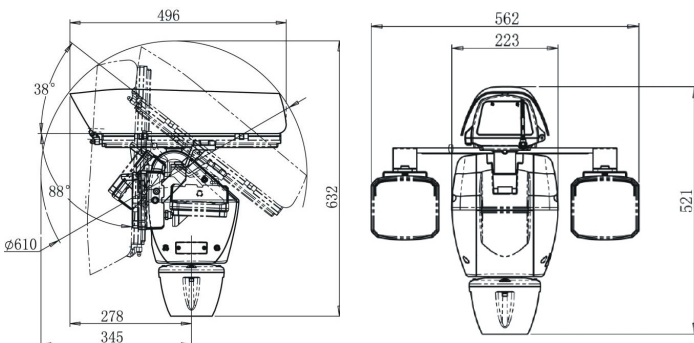
Industrial 2MP Starlight Low Energy Consumption IP PTZ 35X Zoom with IR Camera



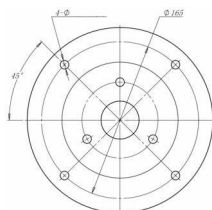
Features

- 1/2-in. 2 MP SONY Exmor CMOS Sensor
- Multi Exposure HDR
- Multi Codec support (H.265 / H.264 / MJPEG)
- Wiper with Nanotechnology Glass*
- True Day/Night function (ICR)
- 3D Motion Compensated Noise Reduction
- Smart Event function- External Output/ Motion Detection/ Network Failure/ Detection/Tampering Alarm/ Periodical Event/ Manual Trigger/ Audio Detection
- ONVIF Profile S support
- Smart Low Bitrate control
- Optional IR or White lamps with Nanotechnology*
- 256 preset positions
- Preset positions accuracy $\pm 0.02^\circ$
- 360° horizontal rotation at up to $0.1^\circ - 100^\circ /s$
- $-88^\circ - +38^\circ$ vertical rotation at up to $0.1^\circ - 100^\circ /s$
- 485 two-way transmission signal, the support of radar, intelligent
- Optional high precision preset position
- Protection class IP67 (Nema 4X)
- Support the standby power consumption is low than 5W
- Heater & Fan Built-in
- AC24V & DC24V double power input
- Can be working under the winds speed does not big than 144 kilometers;
- Can be bear the biggest winds speed 208 kilometers
- Industrial Small Factor SFP Fiber *

Dimensions



*Optional Features



Camera	
Image Sensor	1/2-in. 2 MP SONY Exmor CMOS Sensor
Effective Pixels	1920(H)*1080(V),2MP
Scanning System	Multiple Progressive Scan CMOS
Electronic Shutter Speed	1~1/10K sec.
Min. Illumination	Color: 0.001 lux B/W: 0.002lux
Pixel Size	2.5 μ m
Camera Features	
Day/Night	Auto(ICR) / Color / B/W
Wide Dynamic Range/HDR	Yes
EIS	Yes
White Balance	Auto, ATW, Indoor, Outdoor, Manual
Corridor Mode	90° , 180° , 270° rotation
Noise Reduction	3D DNR
Zoom	35X Optical
Lens	
Focal Length	6 ~ 210 mm
Focus Control	Auto / Manual Focus
Angle of View	H: $61^\circ \sim 2^\circ$ // V: $27^\circ \sim 2^\circ$
PTZ	
Pan Rotation Range	$0^\circ \sim 360^\circ$ continuous
Tilt Rotation Range	$-88^\circ \sim +38^\circ$
Pan Speed	$0.1^\circ \sim 100^\circ /s$
Tilt Speed	$0.1^\circ \sim 100^\circ /s$
Preset	255
Preset Accuracy	0.02°
Scan Group	8/6
Wiper	Yes
Heater & Fan	Auto
Relay AUX Output	2
Video	
Compression	H.265/H.264/H.264H/MJPEG
Resolution	2MP 1080P(1920*1080) 30 FPS
Frame Rate	Main stream: 2M/1080p/720P (30fps) Substream: 1080p/720p (30fps)
Bit Rate	64Kbps-10240Kbps
Network	
Ethernet	RJ-45 (10/100Base-T) / SFP CISCO Compatible Option*
Protocol	Onvif,GB28181,HTTP,RTSP,RTP,TCP,UDP
ONVIF	Profile S
Security	User Authentication/HTTPS/IP Filter/IEEE 802.1x
General	
Power Supply	AC 24V - DC 24V
Power Consumption	<25W (Heater and LED lamps Off)
Application	Mine, Industrial
Working Temperature	$-30^\circ\text{C} \sim 60^\circ\text{C}$
Working Humidity	$\leq 90\%$ RH (No condensing, no heating)
Protection Level	IP67 (NEMA 4X)
Dimensions	223x591x496 (W+H+L) Without IR // 562x591x496 (W+H+L) With IR
Material	Aluminum
Weight	20kgs

Models

- **CS5035-IPMPX-PTZ-LC-IR**

IP Single Vision CS5000 IPMPX Series Camera, Outdoor PTZ, 2 Mega Pixel camera, 35x Zoom Lens, Focal Length 6 ~ 210 mm, HDR, Autoiris, Autofocus, H.264/H.265/MJPEG, Low Power Consumption 25W, 360° Continuous Rotation, Wiper, ONVIF-S, 24 VDC/VAC, IP 67 (Nema 4X), CE, ROHS, FCC Standards. CS5000-IPMPX Series Standard IR Illuminator Kit with double (2) 120 mt Illuminators and standard CS5000-IPMPX-IR Bracket Adapter included

Accessories

- **CS5000-IPMPX-TPA**
CS5000-IPMPX Series Standard Top Pole Mount Adapter, Aluminium.
- **CS5000-IPMPX-WMA**
CS5000-IPMPX Series Standard Wall Mount Adapter, Aluminium.
- **CS5000-IPMPX-PMA**
CS5000-IPMPX Series Standard Pole Mount Adapter,Aluminium, Stainless Steel Clamps, Payload 25 Kg -- (CS5000-IPMPX-WMA is Required)
- **CS5000-IPMPX-IR**
CS5000-IPMPX Series Standard IR Illuminator Kit with double (2) 150 mt Illuminators with Nanotechnology and standard CS5000-IPMPX-IR Bracket Adapter
- **CS5000-IPMPX-SFP**
CS5000-IPMPX Series Standard SFP Option