

## MS-7IPS8681YDS-Z30

5-inch 8MP Starlight Smart Dual Light Network PTZ Camera



### Key Features

- 1/1.8" STARVIS™ CMOS
- Max. 25/30 fps@3840 × 2160 resolution, 30x optical zoom, 16x digital zoom
- Supports face, human, and vehicle detection & capture.
- Supports human and vehicle attribute detection.
- Intelligent analytics: Intrusion, smart motion detection, single line crossing, double line crossing, loitering, wrong-way detection, area people limit, perimeter detection, illegal parking, running detection, fall detection, fight detection, smoke and flame detection, and people counting.
- Supports alarm-linked tracking and intelligent tracking based on person/vehicle targets.
- True WDR (120dB), 3D DNR, ICR, Defog and EIS
- Built-in mic and speaker, 1/1 audio input/output, 2/2 alarm input/output
- Smart Illumination, Up to 250 m IR and 60 m warm light distance
- Supports heated glass for defogging, IP66

## Specifications

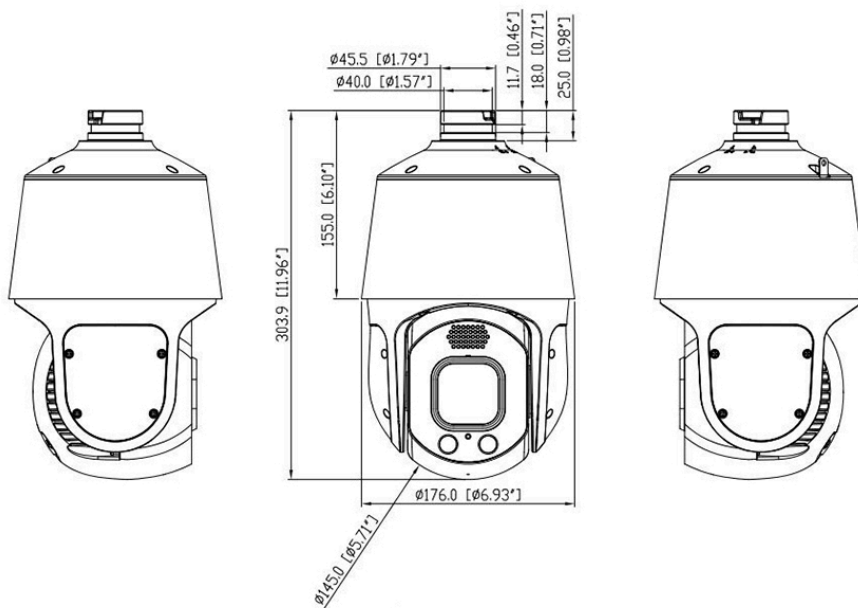
Camera	
Image Sensor	1/1.8" Progressive Scan CMOS
Max Resolution	3840(H) × 2160(V)
Shutter Speed	1/5 to 1/20,000s
Min Illumination	Color: 0.005 Lux @ (F1.6, AGC ON), B/W: 0.001 Lux @ (F1.6, AGC ON), 0 Lux with illuminator on
Day & Night	Auto (ICR)
S/N Ratio	55 dB
Lens	
Focal Length	7 to 210 mm
Max. Aperture	F1.61 to F5.15
Field of View (FOV)	H: 60.0° to 2.6°, V: 36.5° to 1.5°
Optical Zoom	30x
Digital Zoom	16x
Iris	Auto/Manual
Focus Control	Auto/Manual/Semi-automatic
Illuminator	
Type	IR, Warm light
IR wavelength	850 nm
Distance	IR distance up to 250 m (820.21 ft) Warm lights distance up to 60 m (196.85 ft)
Control	IR mode, White mode, Intelligent mode, None
Intelligent Analytics	
Multi-Object Detection	<ul style="list-style-type: none"> <li>- Supports face, human, and vehicle detection &amp; capture;</li> <li>- Supports human and vehicle attribute detection;</li> <li>- Supports multiple frame modes: Full Frame, Four-Corner Frame, Mosaic.</li> </ul>
Attribute Extraction	Human Attributes: Gender, age, glasses, hat, bag, upper clothing color & style, lower clothing color & style, reflective vest. Vehicle Attributes: Type, color, brand, orientation
Intelligent Analysis	Intrusion detection, smart motion detection, single line crossing, double line crossing, loitering, wrong-way detection, area people limit, perimeter detection, illegal parking, running detection, fall detection, fight detection. - Supports accurate target classification (human/vehicle)
Smoke and Flame Detection	Supported
People Counting	Supported

Video & Audio	
Number of Streams	3 Streams
Resolution	Stream1: 3840×2160, 2592×1520, 2304×1296, 1920×1080, 1280×720 Stream2: D1, VGA, CIF Stream3: VGA, CIF, QVGA
Frame Rate	Up to 25/30fps
Bit Rate Control	CBR/VBR
Bit Rate	Stream1: 200 Kbps to 16 Mbps Stream2: 100 Kbps to 6 Mbps Stream3: 100 Kbps to 3 Mbps
Smart Encoding	Supported
Region of Interest (ROI)	Supported
Audio Compression	G.711 A-law, G.711 $\mu$ -law, RAW_PCM
Audio Bit Rate	64 kbps (G.711), 128 kbps (RAW_PCM)
Image	
Image Adjustment	Brightness, Sharpness, Contrast, Saturation adjustable
Scene Mode	Indoor, Outdoor, Mirror
Exposure Mode	Auto, Manual, Shutter priority, Iris priority
White Balance	Auto, Tungsten, Fluorescent, Daylight, Shadow, Manual
Day/Night Setting	Auto, Day, Night, Timer
Noise Reduction	2D/3D DNR
Image Enhancement	HLC, BLC, Defog, WDR, Anti-shake
Wide Dynamic Range	True WDR (120dB)
Privacy Masking	Support 40 zones, mask color configurable
PTZ	
Pan/Tilt Range	Pan: 0° to 360° endless, Tilt: -15° to +90° (auto-flip)
Pan Speed	Pan speed: 0.1° to 180°/s, preset speed: 180°/s
Tilt Speed	Tilt speed: 0.1° to 90°/s, preset speed: 90°/s
Preset Accuracy	$\leq 0.2^\circ$
Preset	400
Track	6 Track
Scan	12 Scan
Tour	12 Tour (up to 32 presets each tour)
Intelligent Tracking	Supported Object auto tracking (Person/Vehicle)
Power-Off Memory	Supported
3D Positioning	Supported
PTZ Status Display	Supported

Idle Motion	The time can be set (1-240 minutes), and functions such as preset positions, patrols, scans, and tracks can be run.
<b>Event</b>	
Alarm Triggers	IVS, Motion detection, Alarm input, Network alarm, Disk alarm, Day/Night switch alarm, Abnormal sound detection
Event Actions	Alarm record, Alarm output, FTP upload, SMTP upload, Snapshot, Audible alarm output, White light alarm output
<b>Network</b>	
Protocols	IPv4/IPv6, HTTP/HTTPS, DNS, DDNS, DHCP, PPPoE, RTSP/ RTCP/RTP, TCP/UDP, NTP, ARP, UPnP, FTP, SMTP, QoS, ICMP, IGMP, SMTP, 802.1x, SNMP, Multicast
Application Programming Interface	ONVIF (Profile S/T/G/M), CGI
Max Concurrent Streams	10 channels
User/Host Level	32+ users, 3 levels: Administrator, Operator, Media user
Web Viewer	<IE11, Chrome, Firefox, Microsoft Edge
<b>Security</b>	
OS / Firmware Protect	Encrypted firmware, Signed firmware
User Authentication	Digest authentication, Prevent brute-force attack
Network Authentication	IEEE 802.1X(EAP-TLS)
Secure Communication	HTTPS, WSS(WebSocket Secure), SRTP
Access Control	IP-based access control, Auto logout
Data Protect	Encryption credentials
Audit	Access / System / Event Log management
Secure Storage	SDcard partition encrypt(AES-256), Secure element
Supply Chain Security	SBOM
<b>Interface</b>	
Network Interface	1 × Ethernet (10/100 Base-T), RJ-45 connector
Built-in Microphone	Supported
Built-in Speaker	Supported
Audio Interface	1ch input, 1ch output
Alarm Interface	2ch input, 2ch output
SD Card Slot	Built-in microSD card slot, up to 1 TB
Reset Button	Supported
<b>General</b>	
Language	English, Chinese, Traditional Chinese, Polish, Italian, Portuguese, Spanish, Russian, French, Czech, Hungarian, Japanese, Korean. Default: English
Power Supply	24 VAC / 36 VDC / PoE+ (802.3at), Standard Equipped: 36 VDC

Power Consumption	Basic: 7.5 W Max. 25 W (illuminator + speaker + PTZ working + glass defogging )
Operating Temperature	-40°C to 60°C (-40°F to 140 °F)
Operating Humidity	Less than 95% RH
Ingress Protection	IP66, NEMA 4X (optional)
Certifications	CE-EMC - EN 55032, EN IEC 61000-6-4, EN IEC 61000-3-2, EN 61000-3-3, EN 55035, EN 50130-4 CE-LVD- EN IEC 62368-1 FCC 47 CFR Part 15 Subpart B
Material	Metal
Dimensions	φ176.0 × 303.9 mm (φ6.93 × 11.96 inch)
Net Weight	4 kg (8.82 lb)
<b>DORI Distance (EN62676-4 standard)</b>	
Detect	132 to 3,960 m (433.1 to 12,992.1 ft)
Observe	52.8 to 1,584 m (173.2 to 5,196.9 ft)
Recognize	26.4 to 792 m (86.6 to 2,598.4 ft)
Identify	13.2 to 396 m (43.3 to 1,299.2 ft)

## Dimensions (mm)



## Accessories



**MS-7CBK506B**  
Wall Bracket



**MS-7BK348A**  
Ceiling Bracket



**MS-7BK605**  
Corner Mount



**MS-7BK604B**  
Pole Mount



**MS-7BK367**  
Junction Box



**MS-7BK358**  
Corner Mount



**MS-7BK359**  
Pole Mount