

MoviSight

MS-7IPT8680PAR-Z30

8MP IR Explosion-proof Network PT Camera



Key Features

- 1/2.8" progressive scan CMOS
- 30x optical zoom, 16x digital zoom
- 8MP(3840×2160)@25/30fps
- Support face, human and vehicle detection and capture
- Intelligent analysis: intrusion, single line crossing, double line crossing, loitering, wrong way, people counting
- WDR, 3D DNR, ICR, HLC, BLC, Defog
- IR distance up to 200m
- IP68
- ATEX: II 2 G Ex db op is IIC T6 Gb, Ex II 2 D Ex tb op is IIIC T80°C Db

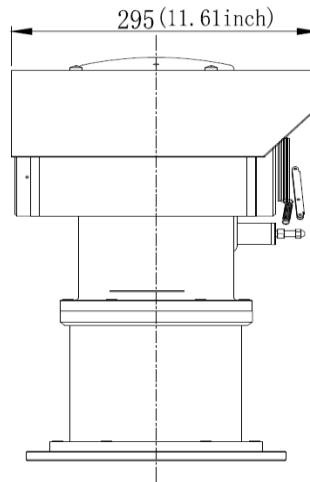
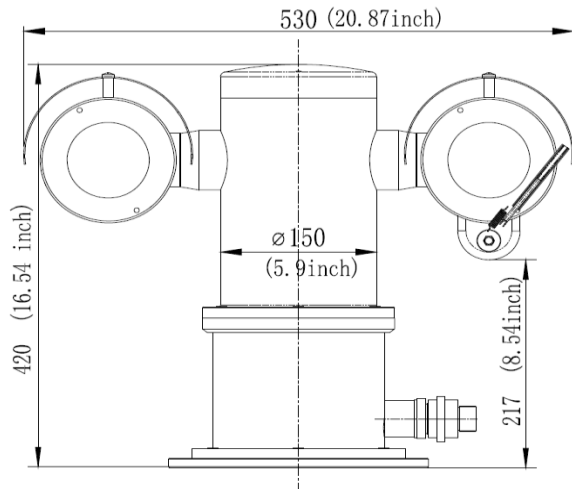


Specification

Camera	
Image Sensor	1/2.8" Progressive Scan CMOS
Max. Resolution	8MP (3840x2160)
Electronic Shutter	Auto/Manual, 1/5 ~ 1/20,000s
Min. illumination	Color: 0.07 Lux @ (F1.6, AGC ON) B/W: 0.02 Lux, 0 Lux with IR on
Day & Night	IR cut filter
IR Distance	Up to 200m
IR On/Off Control	Auto/Manual
Wiper	Support
Lens	
Focal Length	7.0 to 210mm
Max. Aperture	F1.61 to F5.15
Angle of View	H: 560.0° to 2.6°, V: 36.5° to 1.5°
Optical Zoom	30x
Digital Zoom	16x
Focus Control	Auto/Manual
PTZ	
Pan/Tilt Range	Pan: 0° ~ 360° endless, Tilt: -90° ~ +90°
Pan Speed	Pan: 0.1° ~ 30°/s, Pan preset speed: 30°/s
Tilt Speed	Tilt: 0.1° ~ 20°/s, Tilt preset speed: 30°/s
Proportional Zoom	Support
Presets	400
Scan	Support
Tour	Support
3D Positioning	Support
Power-Off Memory	Support
PTZ Status Display	Support
Video and Audio	
Streaming Capability	3 Streams
Stream/Frame Rate	Stream1: 3840×2160, 2592×1520, 2304×1296, 1920×1080, 1280×720 @25/30fps Stream2: D1, VGA, CIF @ 25/30fps Stream3: VGA, CIF, QVGA @ 25/30fps
Bit Rate Control	CBR/VBR
Bit Rate	Stream1: 200kbps~12Mbps Stream2: 100kbps~6Mbps Stream3: 100kbps~3Mbps
Smart Encoder	Support
Region of Interest	Off/On (8 Zone, Rectangle)
Audio Compression	G.711: 8kbps
Image	
Image Adjustment	Brightness, Sharpness, Contrast, Saturation adjustable
Mirror	Support

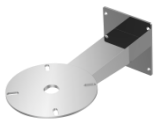
White Balance	Auto/Manual
Day/Night Setting	Auto, Day, Night, Time
Smart IR	Support
Noise Reduction	2D/3D DNR
Image Enhancement	HLC, BLC, Defog
Wide Dynamic Range	True WDR
Privacy Masking	Support
Smart Function	
Smart Alarm	Motion detection, Disk alarm, Event alarm
Multi-Object Detection	Supports face, human, vehicle detection and capture
Intelligent Analysis	Intrusion, Single line crossing, Double line crossing, Loitering, Wrong way, People counting Support alarm triggering by specified target types (human and vehicle)
Network	
Protocols	IPv4, IPv6, TCP / IP, HTTP, HTTPS, UPnP, RTSP / RTP / RTCP, IGMP / Multicast, SMTP, DHCP, NTP, DNS, DDNS, QoS, SNMP, 802.1X, UDP, ICMP, ARP, TLS
Interface Protocol	ONVIF, SDK, CGI
Max. User Access	10 Users
Web Viewer	<IE11, Chrome, Firefox, Microsoft Edge
Language	English, Chinese, Polish, Italian, Portuguese, Spanish, Russian, French, Czech, Hungarian. Default: English
Interface	
Network Interface	1 × RJ-45, 10/100 Mbps self-adaptive Ethernet port
Audio Interface	1ch Input, 1ch Output
Alarm Interface	5ch Input, 1ch Output
RS485	Support
CVBS Interface	Support
SD Card Slot	Built-in, up to 256GB
Reset Button	Support
Electrical	
Power Supply	AC100~240V
Power Consumption	Less than 75 W
Operating Temperature	-40°C ~ 60°C (-40°F ~ 140 °F)
Operating Humidity	Less than 90% RH
Ingress Protection	IP68
Certifications	ATEX: Ex II 2G Ex db op is IIC T6 Gb /Ex 2D tb op is IIIC T80°C Db, IECEX: Ex db op is IIC T6 Gb /Ex tb op is IIIC T80°C Db
Casing	SUS316L
Dimensions	530 × 295 × 420mm
Net Weight	38 kg

Dimensions (mm)



Accessories

Optional:



MS-7BK402-SS
Wall Mount



MS-7BK400-SS(P/F/
D) Junction Box



MS-7CPL10A-
SS Washing
Tank



Flexible Tube