

Dual-spectrum Dome Camera

MS-7PD464T



Product Features

- Clearer and farther image with the latest 12 μ m infrared detector and leading algorithm.
- Visual and thermal dual-spectrum imaging for 24/7 safety surveillance.
- Support intelligent behavior analysis such as dual-spectrum region intrusion and tripwire intrusion, support AI human-vehicle classification.
- Support professional temperature measurement analysis tools and intelligent fire detection algorithm.
- Support multi-event linkage alarm and audible-visible alarm.
- Support intelligent scene configuration, support multiple scanning mode and target tracking.
- Integrated with $\pm 0.05^\circ$ high-accuracy PTZ, 200 $^\circ$ /s high rotation speed.
- All-metal integrated body with IP66 encapsulation rating, support self-sensing wipers.
- Support standard ONVIF protocols, SDK and accompanying NVR and software are available.

Product Specifications

Technical Index		Dual-spectrum Dome Camera			
Thermal	Sensor Type	VOx, uncooled FPA			
	Spectral Range	8~14μm			
	NETD	≤35mK @25°C, F#1.0			
	Resolution	640×512			
	Pixel Pitch	12μm			
	Lens Focal Length	9.1mm	13mm	25mm	50mm
	Focus Control	Auto/Manual			
	FOV	48°×38°	33°×26°	17°×14°	8.8°×7.0°
	Aperture	1.0			
	IFOV	1.32mrad	0.92mrad	0.48mrad	0.24mrad
	Color Palettes	20 modes available such as Whitehot/Blackhot/Rainbow.			
Visible	Sensor	1/1.8" 4MP CMOS			
	Resolution	2688×1520			
	Focal Length	6.5~260mm			
	FOV	57.6°×33.5°~ 2.9°×1.6°			
	Aperture	F1.61~ F5.19			
	Digital Zoom	Yes			
	Min.Illumination	Color:0.0001 Lux /F1.6; B/W:0.00005Lux/F1.6			
	Defog	Optical defog			
	Image Stabilization	EIS			
	Illumination	IR illuminator, Max illuminating distance: 200m			
PTZ	Pan Range	360° continuous			
	Pan Speed	0.1°~200°/s			
	Tilt Range	-27°~90°, auto flip available			
	Tilt Speed	0.1°~120°/s			
	Positioning Accuracy	±0.05°			
	Presets	1024			
	Scan Mode	Preset/Tour/Pattern Scan/Linear Scan/Area Scan/Comprehensive Patrol			
	Tour	8 , up to 1024 presets per tour, dwell time configurable			
	3D Positioning	Yes			
	Power-off Memory	Yes			
	Pan-Tilt Limit	Yes			
	Privacy Masking	Yes			

	Patrol Mode	Yes
	Timed Task	Preset/Tour/Pattern Scan/Area Scan/Linear Scan
	Remote Reboot	Yes
Network	Protocols	IPv4,HTTP,HTTPS,FTP,SMTP,UPnP,DNS,DDNS,NTP,RTSP,RTCP,RTP,TCP,UDP,IGMP,ICMP,DHCP
	Interoperability	ONVIF
	Simultaneous Live View	Up to 8 channels
	User Management	Up to 32 users, 3 levels: Administrator, Operator and User
	Browser	Edge, Google Chrome, Mozilla Firefox, etc.
Video	Audio Compression	G.711a/G.711u/AAC/PCM
	Video Compression	H.264/H.265
	Main Stream	Visible: PAL:25fps(2688×1520, 1920×1080) NTSC:30fps(2688×1520, 1920×1080) Thermal: PAL:25fps(2688×1520,1024×768) NTSC:30fps(2688×1520,1024×768)
	Sub Stream	Visible: PAL:25fps(1920×1080,1280×720,704×576,352×288) NTSC:30fps(1920×1080,1280×720,704×480,352×240) Thermal: PAL:25fps(640×512) NTSC:30fps(640×512)
Temperature Measurement Function	Temperature Measurement Range	-20℃~+650℃
	Temperature Measurement Accuracy	±2℃ or ±2% of the reading, the larger value shall prevail
	Temperature Measurement Analysis	Temperature measurement tools such as full frame/ point/ line/ region and linkage alarm
Smart Function	Fire Point Detection (Thermal)	Yes
	Zoom Linkage	Yes
	Smart Record	Alarm trigger recording, disconnection trigger recording (continue transmission after connection)
	VCA	Tripwire & area intrusion detection, AI human/vehicle classification
	Alarm Linkage	Recording/Snapshot/Sending Email/PTZ linkage/Alarm output

System Interface	Communication Interface	RJ45 self-adaptive 10M/100M Ethernet port 1-channel RS485
	Audio Interface	1-channel input, 1-channel output
	Alarm Interface	7-channel input, 2-channel output
	Storage Interface	Micro SD card (Max.256G)
General	Operating Conditions	-40°C~+70°C;<95%RH
	Power Supply	DC 24V±15%
	Protection Level	IP66
	Wiper	Rain-sensing wiper
	Power Consumption	Max.48W
	Dimensions(mm)	Φ250×413
	Weight	8kg

DRI Range

The recommended distance of detection, recognition and identification for human (1.8×0.5m) and vehicle (1.4×4.0m) are as follows:

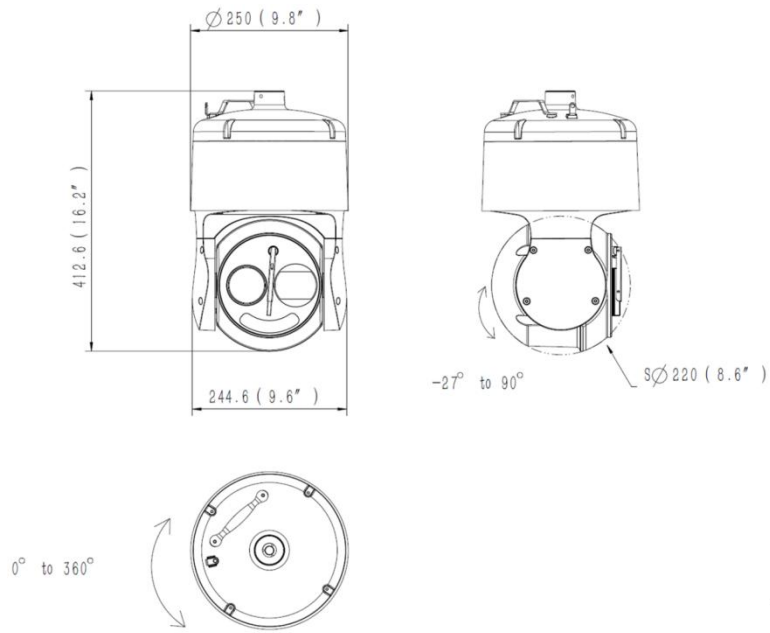
- DD stands for Detection Distance;
- RD stands for Recognition Distance;
- ID stands for Identification Distance;

Lens	DD (Vehicle)	DD (Human)	RD (Vehicle)	RD (Human)	ID (Vehicle)	ID (Human)
9.1mm	1163m	379m	291m	95m	145m	47m
13mm	1661m	542m	415m	135m	208m	68m
25mm	3194m	1042m	799m	260m	399m	130m
50mm	6389m	2083m	1597m	521m	799m	260m

***The table is only for reference and the performance may vary according to different environment.**

*** The optimal detection, recognition, and identification distances are calculated according to Johnson's Criteria.**

Structural Drawings



This datasheet is subject to change without prior notice. Please contact us to get the latest datasheet.